

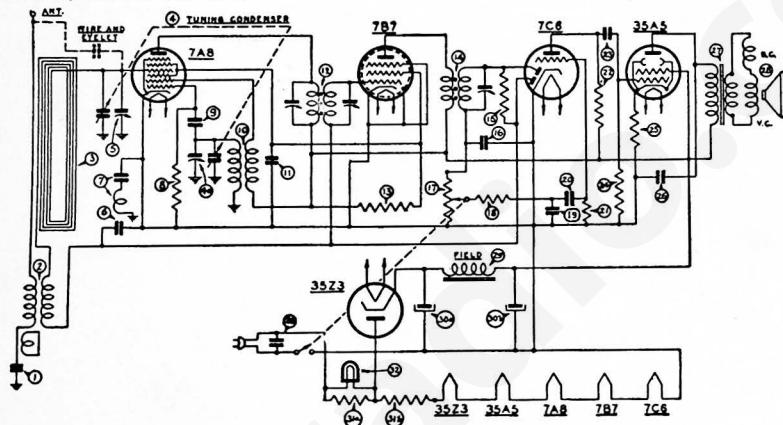
MODELS PT-26, PT-28 and PT-36

SPECIFICATIONS

Models PT-26, PT-28 and PT-36 are five tube superheterodyne radios covering a tuning frequency range from 540 to 1580 K. C. and designed with a built-in loop aerial for portable use. To obtain maximum performance, however, in steel reinforced buildings, apartment houses, hotels and other shielded locations where signal strength is weak, provisions are also provided at the rear of the cabinet for an outside aerial. If an outside aerial is necessary, the Philco Utility Aerial, Part No. 40-6384 is recommended. These models are similar with the exception of the cabinets.

The circuit diagram and parts list shown below applies to all models.

INTERMEDIATE FREQUENCY: 455 K. C.



POWER SUPPLY: The receivers are designed for operation on either a 115 volt alternating current (A. C.) or 115 volt direct current (D. C.) power supplies.

Note—If no sound is heard on D. C. circuits after the tubes are sufficiently heated, reverse the plug of the cable in the outlet. If a slight hum is heard when operating on an A. C. power supply, the power plug should be reversed.

PHILCO TUBES USED: One 7A8, converter; one 7B7, I. F. amplifier; one 7C6, 2nd detector, 1st audio, A. V. C.; one 35A5, audio output and one 35Z3, rectifier.

ALIGNING PROCEDURE: The instructions for adjusting the R. F. and I. F. compensators will be found on page 8.

REPLACEMENT PARTS

SCHE. No.	DESCRIPTION	PART No.	SCHE. No.	DESCRIPTION	PART No.	SCHE. No.	DESCRIPTION	PART No.
1	Tubular Condenser (.0015 mf., 200V)	30-4555S	32	Pilot Lamp	34-2068		Dial	27-5554
2	Antenna Transformer	32-3394	33	Condenser (.04 mf., 400V)	30-4119S		Dial Window	27-5472
3	Loop Antenna—Part of cabinet and loop Assy.						Dial Drive Shaft	31-2355
	PT-26	76-1005					Dial Drive Cord	31-2358
	PT-28	76-1013					Knob Assembly	27-4950
	PT-36	76-1014					Screw Back Mounting	W-2062
4	Tuning Condenser—PT-26 & PT-28	31-2439					Screw Chassis Mounting	W-2110
	PT-36	31-2443					Speaker	36-1469
5	Padding Condenser	31-6344					Speaker, Baffle and Felt Assembly	40-6520
6	Tubular Condenser (.1 mf., 200V)	30-4499S					Spring (Drive Cord)	28-8954
7	Condenser & Choke Assy.	76-1019					Socket (Pilot Lamp)	38-9825
8	Resistor (22,000 ohms, 1/4 watt)	33-322154					Socket (Tubes)	27-6130
9	Mica Condenser (110 mmf.)	30-1130					Snap Fastener (Dial)	56-1387
10	Oscillator Transformer	32-3182					Mounting Clips (Coil Mounting)	28-5002
11	Tubular Condenser (.05 mf., 200V)	30-4519S					Pointer (Dial)	27-4891
12	1st I. F. Transformer	32-3390						
13	Resistor (22,000 ohms, 1/2 watt)	33-322334						
14	2nd I. F. Transformer	32-3391						
15	Resistor (2.2 meg., 1/4 watt)	33-522154						
16	Mica Condenser (250 mmf.)	61-0033						
17	Volume Control (500,000 ohms)	33-5306						
18	Resistor (47,000 ohms, 1/4 watt)	33-347154						
19	Mica Condenser (250 mmf.)	61-0033						
20	Tubular Condenser (.01 mf., 200V)	30-4479S						
21	Resistor (4.7 meg., 1/4 watt)	33-547154						
22	Resistor (220,000 ohms, 1/4 watt)	33-422154						
23	Tubular Condenser (.01 mf., 400V)	30-45723						
24	Resistor (470,000 ohms, 1/4 watt)	33-447154						
25	Resistor (130 ohms, 1/2 watt)	33-113338						
26	Tubular Condenser (.04 mf., 400V)	30-4119S						
27	Output Transformer—Part of Speaker No.	36-1469						
28	Speaker	36-1469						
29	Field Coil—Part of Speaker No.	36-1469						
30	Electrolytic Condenser (20-20 mf., 150V)	30-2382						
31	Line Resistor	33-2307						

MISCELLANEOUS PARTS

MODEL PT-26

Cabinet and Loop Assembly	76-1005
Cable (Power)	L-3199
Cardboard Back (Cabinet)	27-9615
Cone Assembly	
(for Speaker 36-1469-9)	36-4113
(for Speaker 36-1469-1)	36-4115
(for Speaker 36-1469-2)	36-4132
Dial	27-5554
Dial Window	27-5472
Dial Drive Shaft	31-2355
Dial Drive Cord	31-2358
Grille Cloth Assembly (Speaker)	40-6520
Knob Assembly	27-4899
Mounting Clips (Coil Mounting)	28-5002
Pointer (Dial)	27-4891
Spring (Drive Cord)	28-8954
Speaker	36-1469
Socket (Pilot Lamp)	38-9825
Socket (Tubes)	27-6130
Snap Fastener (Dial)	56-1387

MODEL PT-28

Cabinet and Loop Assembly	76-1013
Cable (Power)	L-3199
Cardboard Back	27-9616
Cone Assembly	
(for Speaker 36-1469-9)	36-4113
(for Speaker 36-1469-1)	36-4115
(for Speaker 36-1469-2)	36-4132

MODEL PT-36

Cabinet and Loop	76-1014
Baffle Cloth and Felt	40-6529
Cable (Power)	L-3199
Cardboard Back	27-9612
Clip (Coil Mounting)	28-5002
Driving Arm (Pointer Drive)	56-1376
Drive Drum	56-6033
Drive Cord Assembly	31-2358
Drive Shaft Assembly	31-2370
Pointer (Moulded)	27-4935
Pointer Ring	56-1689
Knob Assembly	27-4899
Rubber Tubing (Drive Arm)	27-9334
Spring (Drive Cord Assembly)	28-8954
Speaker	36-1469
Socket Assembly (Pilot Lamp)	38-9825
Socket	27-6130